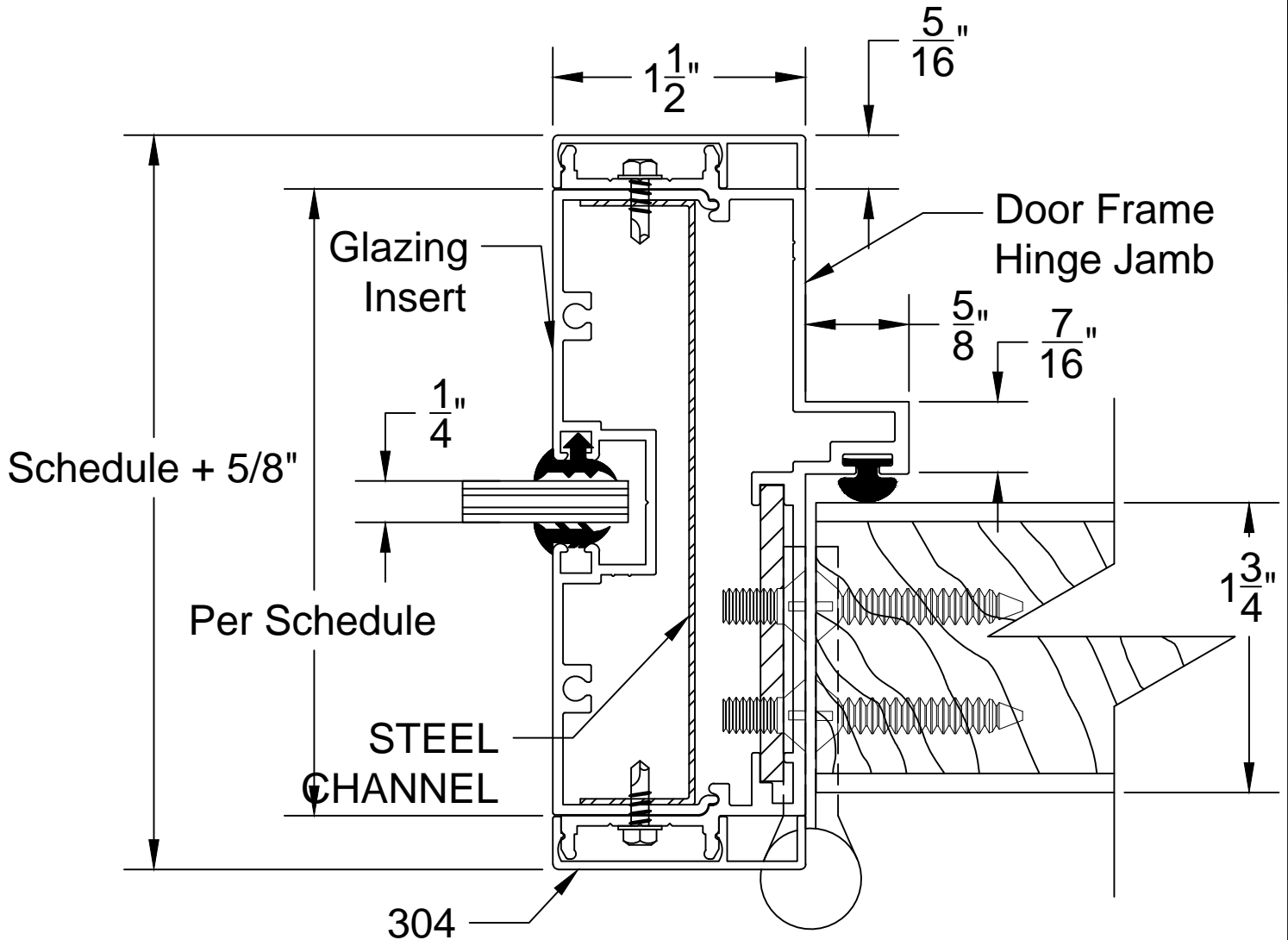


DETAIL 21A-ST



300 SERIES DOOR FRAME HINGE/SIDELIGHT JAMB W/ STEEL CHANNEL REINFORCEMENT W/ 304 ($\frac{5}{16}$ " X $1\frac{1}{2}$ ") FLUSH TRIM

A				WESTERN INTEGRATED MATERIALS, INC. 3310 E. 59th Street Long Beach, CA 90805 (562) 634-2823 FX: (562) 634-8449 www.aluminumdoorframes.com	SCALE	FILE NO. 300-21ST-304
B					N/A	DETAIL NO.
LET	REVISION	BY	DATE			21A-ST