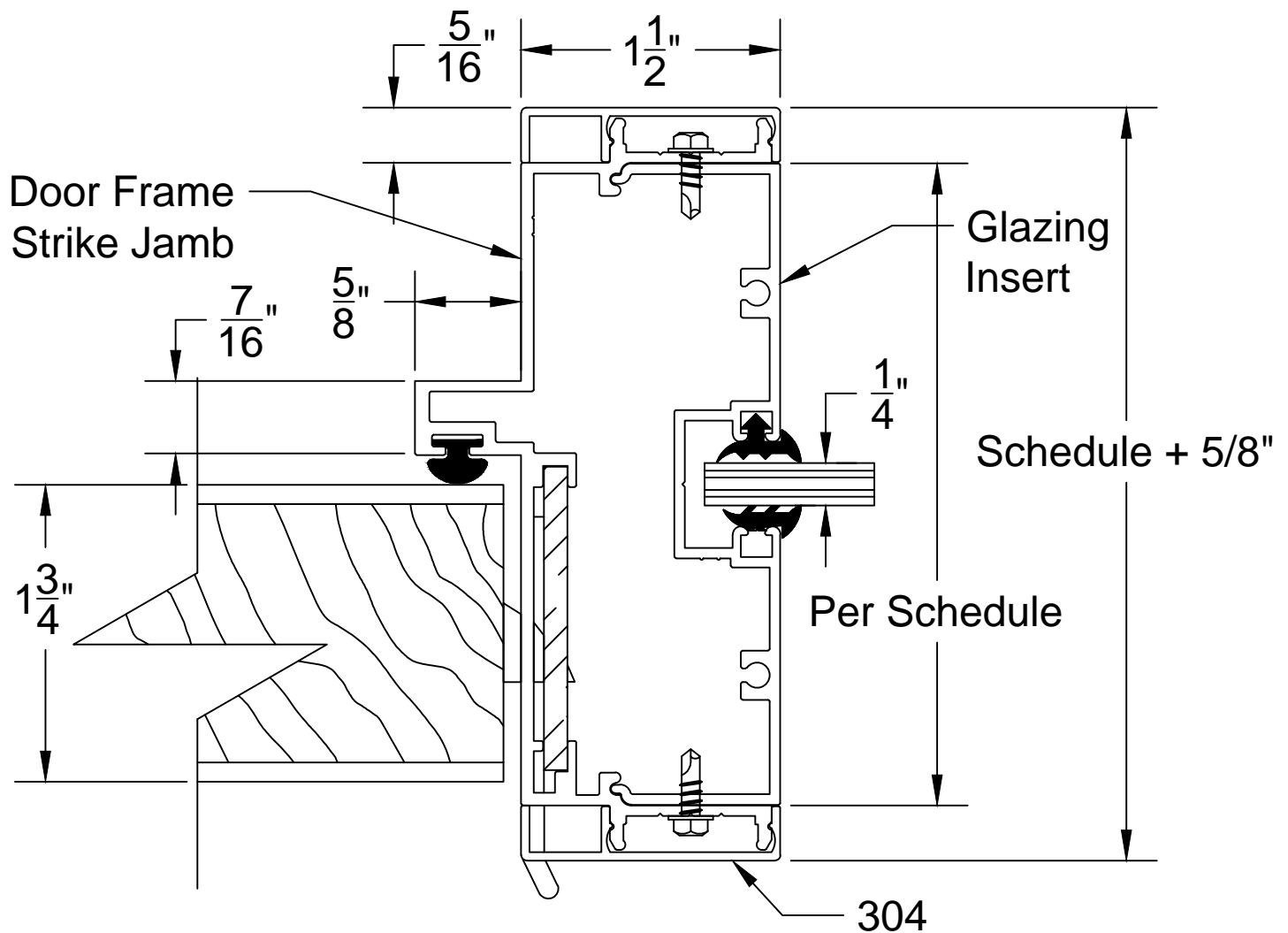


# DETAIL 7A



## 300 SERIES DOOR FRAME STRIKE/SIDELIGHT JAMB W/ 304 ( $\frac{5}{16}$ " X $1\frac{1}{2}$ ") FLUSH TRIM

A				<b>WESTERN INTEGRATED MATERIALS, INC.</b> 3310 E. 59th Street Long Beach, CA 90805 (562) 634-2823 FX: (562) 634-8449 <a href="http://www.aluminumdoorframes.com">www.aluminumdoorframes.com</a>	SCALE	FILE NO. 300-7-304
B					N/A	DETAIL NO.
LET	REVISION	BY	DATE			7A