

Western Integrated Materials, Inc.

90 Minute Door Frame Installation Instructions

1. Frames are fabricated to exact width specified and no clearance is built in.
2. Rough opening should be 1-1/2" wider than the desired width, 3/4" over in height.
3. Determine high side of floor and cut jambs to the required height. Be sure mute is pushed to top of jamb before cutting.
4. Check opening for proper swing, then slip header over the wall. (Fig. 1)
5. Hold jambs at an angle and slip the upper portion over the wall. Push upward to engage header, then push the rest of the jamb over the wall. (Fig. 2)

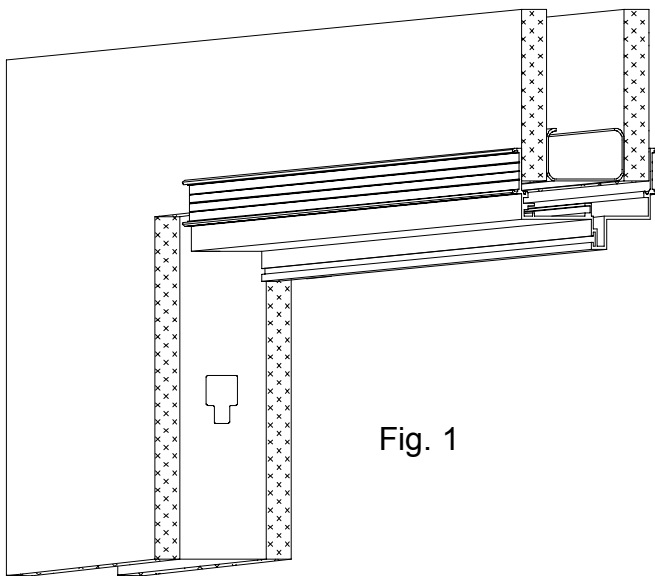


Fig. 1

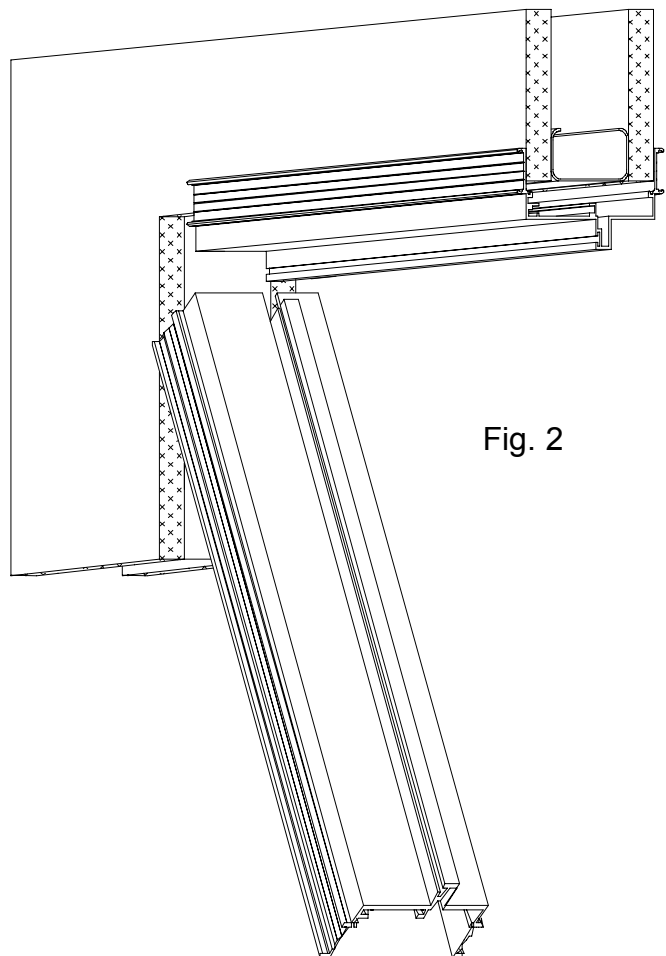


Fig. 2

PLEASE NOTE:

The illustrations shown in these instructions do not show the steel backer channel that comes pre-attached to the frame members.

6. Slide butt jamb down to finished floor. If carpet is to be laid, the base on which it is to be laid shall be considered the finished floor. For other floor coverings, (tile, etc.) the jamb should rest on removable spacers the same thickness as the flooring to be used.
7. Plumb butt side and secure to wall.



Western Integrated Materials, Inc.

8. If door is premortised, hang prefit door and close into opening.
 - a.) If doors are not premortised, then use a square to attain a 90° corner between head & jambs. Head must butt up to vertical edge of clip (Fig. 3) and set flat in alignment groove (Fig. 4). You can then attach clips with #8 x 3/4" Tekscrews.
 - b.) Secure head to wall.
 - c.) Use same procedure for strike jamb.
9. Pull header down to door, allowing 1/8" spacing. Install corner clips (Fig. 3 & 4) and secure to wall.
10. Pull strike jamb into position and align with corner clips and door edge. Secure to wall.
11. If required, cut trim to length and, if necessary, make required notch at top of trim for clearance of clip and/or trim legs. Install trim. Trim should fit snugly. If there is any tendency to rattle, give full length a slight twist before installing.

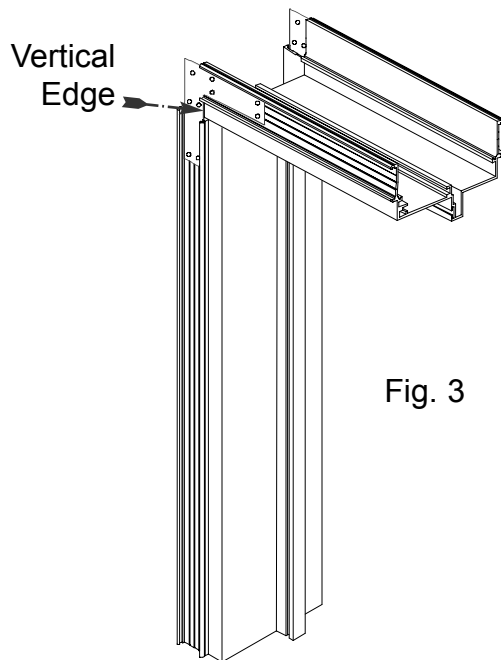


Fig. 3

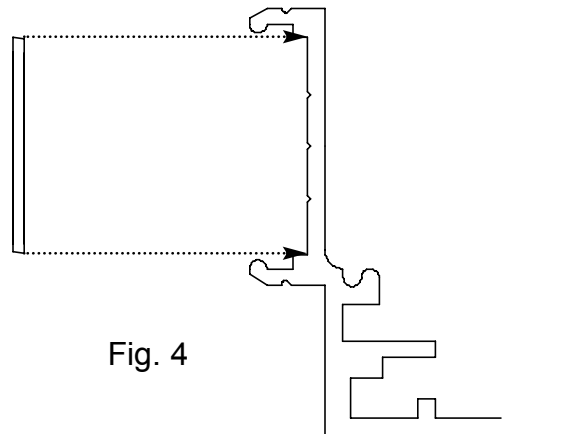


Fig. 4

S-76 Clip Alignment Groove

- CLEANING:** If necessary to clean the aluminum, use water with a mild detergent. No abrasive agents should be used.
- FASTENING:** Corner Clips (S-76) - 4 per frame.
Use 3/4" #8 Tekscrews (supplied by others). (4 per clip - 16 per frame)
- FASTENING DOOR FRAME:** Use 2" drywall screws (supplied by others) in each predrilled hole. Screws should penetrate studs 1/2".